



heatmiser®

Stylish Thermostats For Modern Living





Dial Type Thermostats

Stylish Dial Type Thermostats

Our range of electronic dial type thermostats are simple to use and offer a greater level of accuracy than standard bi-metallic versions. These thermostats are used in conjunction with a separate programmer.

Headline Information

Mounting Type

Surface mounting:
DS1/DS1-L and DS1-E/DS1-EL
Flush mounting:
DS-SB

Temperature Range
05-35°C

Lock Facility
DS1-L / DS1-EL

Indication Type
LED: DS1/DS1-E/DS-SB
LCD: DS1-L/DS1-EL

Set-Back Facility
DS-SB

Dimensions
DS1/DS1-L/DS1-E/DS1-EL
92x92x34mm (L,H,D)
DS-SB
92x92x17mm (L,H,D)

E.U. Back Box
DS-SB



Product Ranges

Flush Mount with Set Back Function - DS-SB
1 Model, suitable for radiator and water underfloor heating.

Surface Mount with LED Indication - DS1 Series
2 Models, suitable for water & electric heating systems.

Surface Mount with LCD Indication - DS1-L Series
2 Models, suitable for water & electric heating systems.

Key Features

Set Back Function
Standard dial thermostats are either on or off according to the time clock controlling the system. A set back thermostat is different. It will follow the temperature set on the dial during the timed period and will automatically reduce the set temperature by 4°C when its timed to be off.

Surface Mount for Easy Installation
The DS1 and DS1-L series are surface mounting for easy installation. Modern styling remains in keeping with the rest of the Heatmiser range.

Dial Lock Facility
The DS1-L series offers a dial lock, allowing you to reduce tampering of the heating system. A simple way of reducing your energy costs.

On / Off / Time Clock Switch
A slide switch on the side of the thermostat allows you to switch between On, Permanent Off or Time Clock. In On mode, the thermostat will maintain the set temperature on the dial, but will ignore the time clock input.

Power and Heating Indication
The DS1 series provides power and heating on indication in the form of coloured LEDs.

LCD - Temperature Read-out
The DS1-L is equipped with an LCD. A turn of the dial will display the set temperature for 5 seconds before reverting back to the actual room temperature read-out.



FEATURES

Temperature Range
Mounting Type
Set Back Function
Digital Display
Time Clock Override Switch
Dial Lock
Built In Air Sensor
Remote Air Sensor
Floor Sensing Mode
Floor Probe Included
Built In Air & Floor
Adjustable Switching Differential
Accuracy
Dimensions
Max Switching Current
Supply
Weight

AIR ONLY MODELS

	DS1	DS1-L	DS-SB
Temperature Range	05-35 °C	05-35 °C	05-35 °C
Mounting Type	Surface	Surface	Flush
Set Back Function	N	N	Y
Digital Display	N	Y	N
Time Clock Override Switch	N	N	Y
Dial Lock	N	Y	N
Built In Air Sensor	Y	Y	Y
Remote Air Sensor	N	N	Y
Floor Sensing Mode	N	N	N
Floor Probe Included	N	N	N
Built In Air & Floor	N	N	N
Adjustable Switching Differential	Y	Y	N
Accuracy	+/- 1.5°C	+/- 1.5°C	+/- 1.5°C
Dimensions	92x92x34mm	92x92x34mm	92x92x17mm
Max Switching Current	3A	3A	3A
Supply	230VAC	230VAC	230VAC
Weight	150g	150g	150g

AIR & FLOOR MODELS

	DS1-E	DS1-EL
Temperature Range	05-35 °C	05-35 °C
Mounting Type	Surface	Surface
Set Back Function	N	N
Digital Display	N	Y
Time Clock Override Switch	N	N
Dial Lock	N	Y
Built In Air Sensor	Y	Y
Remote Air Sensor	N	N
Floor Sensing Mode	Y	Y
Floor Probe Included	Y	Y
Built In Air & Floor	Y	Y
Adjustable Switching Differential	Y	Y
Accuracy	+/- 1.5°C	+/- 1.5°C
Dimensions	92x92x34mm	92x92x34mm
Max Switching Current	13A	13A
Supply	230VAC	230VAC
Weight	150g	150g



**Flush Mount with Set Back Function
DS-SB**



**Surface Mount with LCD Indication
DS1-L Series**



**Surface Mount with LED Indication
DS1 Series**



Slimline Thermostats

Our most popular product line

Three ranges are available, including 230v Models for standard systems, 12v Network Models for those looking to control their system centrally or remotely over the internet, and Electric Floor Models for those with Electric Floor Heating.

Headline Information

Mounting Type
Flush mounting

Temperature Range
05-35°C
41-95°F

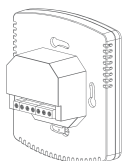
Lock Facility
Yes - All models

Indication Type
LCD with Blue Back Light

Optional Extras
Infrared Remote Control

Dimensions
98x85x16mm (L,H,D)
(13mm Installed)

E.U. Back Box



Product Ranges

230v **230v Models**
Can be used to upgrade existing thermostats and can be used in conjunction with our UH2 and UH3 wiring centres.

12v **12v Network Models**
Have been designed to work as part of a network system, and can be used in conjunction with our UH1 wiring centre and network products.
*See pages 27 for system overview.

EFM **Electric Floor Model**
Supplied with a remote floor sensor, the PRT-E offers the ability to measure room temperature, floor temperature or both. The PRT-E is rated at 16A making it ideal for electric floor heating.

Key Features

Modern Slimline Appearance
The slimline thermostat series is flush mounting, resulting in a depth of only 13mm after installation.

Holiday Function
Reduces the set temperature in your home for the duration of your holiday and returns to programmed settings to ensure your home is warm on your return.

Temperature Override
Allows you to adjust the desired temperature in your home without the need to fully re-program the thermostat. This new set temperature will be maintained until the next programmed setting.

Remote Control
All models within our slimline series are compatible with our Infrared remote control. (Part Reference: RM1)

Energy Saving Optimum Start
Calculates the amount of heat up time required to ensure your home is warm when you wake and return home. This is automatically optimised throughout the year to save you money.

Temperature Hold Facility
Allows you to hold a set temperature for a specific duration - ideal for parties. After which, the thermostat will revert back to the programmed setting.



Sensor Housing
Part Ref: Heatmiser EN030
This sensor housing is ideal for use in en-suites to house the remote sensor probe.



Remote Sensor Probe
Part Ref: Heatmiser MISC103
This remote sensor probe can be used to measure air and floor temperature. This probe is supplied with a 3 meter cable which can be extended to 20 meters if required.



FEATURES

230V MODELS

12V NETWORK MODELS

ELECTRIC FLOOR MODEL

	DT DT-RP	PRT PRT-RP	PRT/HW	DT-N	PRT-N	PRT/HW-N	PRT-EN	PRT-E
Temperature Range	05-35 °C 41-95 °F	05-35 °C 41-95 °F	05-35 °C 41-95 °F	05-35 °C 41-95 °F	05-35 °C 41-95 °F	05-35 °C 41-95 °F	05-35 °C 41-95 °F	05-35 °C 41-95 °F
Blue Back Lit Screen	Y	Y	Y	Y	Y	Y	Y	Y
5/2 Day Programming Mode	N	Y	Y	N	Y	Y	Y	Y
7 Day Programming Mode	N	Y	Y	N	Y	Y	Y	Y
Number of Heating Levels	1	4	4	1	4	4	4	4
Optimum Start	N	Y	Y	N	Y	Y	Y	Y
Number of HW Times	0	0	4	0	0	4	0	0
Holiday Function	N	Y	Y	N	Y	Y	Y	Y
Keylock Function	Y	Y	Y	Y	Y	Y	Y	Y
Temperature Hold Function	N	Y	Y	N	Y	Y	Y	Y
Temperature Override	Y	Y	Y	Y	Y	Y	Y	Y
Temperature Override Limit	Y	Y	Y	Y	Y	Y	Y	Y
Frost Protection	Y	Y	Y	Y	Y	Y	Y	Y
Networking Facility	N	N	N	Y	Y	Y	Y	N
°C / °F Option	Y	Y	Y	Y	Y	Y	Y	Y
Remote Air Sensor Connection	N Y	N Y	N	N	N	N	Y	Y
Remote Air Sensor Included	N Y	N Y	N	N	N	N	N	N
Built In Air Sensor	Y	Y	Y	Y	Y	Y	Y	Y
Floor Sensing Mode	N	N	N	N	N	N	Y	Y
Floor Sensor Included	N	N	N	N	N	N	Y	Y
Max Switching Current	3A	3A	3A	3A	3A	3A	3A	16A
Accuracy	+/-1 °C	+/-1 °C	+/-1 °C	+/-1 °C	+/-1 °C	+/-1 °C	+/-1 °C	+/-1 °C
Infrared Remote Control Option	Y	Y	Y	Y	Y	Y	Y	Y
Adjustable Switching Differential	Y	Y	Y	Y	Y	Y	Y	Y
Supply	230VAC	230VAC	230VAC	12VDC	12VDC	12VDC	12VDC	230VAC
Installed Dimensions	98x85x13mm (L,H,D)			98x85x13mm (L,H,D)				98x85x13mm (L,H,D)
Weight	195g	195g	195g	195g	195g	195g	195g	195g

Available In Three Plastic Colour Finishes



White



Silver



Black

Available in selected models



TouchScreen Thermostats

Making your life a little easier

The intuitive TouchScreen display makes searching for the user manual a thing of the past.

Headline Information

Mounting Type
Flush mounting

Temperature Range
05-35°C
41-95°F

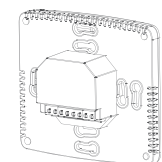
Lock Facility
Yes - All models

Indication Type
LCD with Blue Back Light

Adjustable Switching Differential
0.5-3°C

Dimensions
110x100x17mm (L,H,D)

E.U. Back Box



Product Ranges

230v

230v Models
Can be used to upgrade existing thermostats and can be used in conjunction with our UH2 and UH3 wiring centres.

12v

12v Network Models
Have been designed to work as part of a network system, and can be used in conjunction with our UH1 wiring centre and network products. See page 26 and 27 for our system overview.

EFM

Air / Floor Models
Are supplied with a remote floor sensor and provide the ability to measure room temperature, floor temperature or both. The DT-ETS and PRT-ETS offer 16A switching making them ideal for electric floor heating.

Key Features



5/2 & 7 Day Programming
5/2 Day mode is ideal for those who keep to one schedule Monday - Friday and another for the weekend. 7 Day mode allows you to have a different schedule for each day of the week. Ideal for families with changing schedules.



Adjustable Switching Differential
Our TouchScreen Series has an adjustable switching differential from 0.5°C - 3°C. This function allows you to get even tighter control of your heating system.



Networking Facility
Control your heating from anywhere. Our 12v network thermostats offer you the ability to control your heating centrally, with the use of our TouchPad and over the internet from anywhere in the world with our NetMonitor. Take a look at pages 26-27 for more details on our network products.



Frost Protection
A function designed to protect your home against frost. An adjustable frost temperature level can be programmed, between 7°C - 17°C, ensuring your home is always protected against the elements whilst you are away.



Keylock Function
Locking the thermostat keypad is an easy way to save energy. Allowing access to only those that require it.



Two Zone Models
Two zone versions of the PRT-TS and PRT-NTS are available (PRT2-TS and PRT2-NTS), ideal for bedrooms with en-suite. Zone one uses the built in air sensor whilst zone two uses the remote sensor probe provided. The remote sensor probe can be placed inside our sensor housing.



FEATURES

230V MODELS

12V NETWORK MODELS

ELECTRIC FLOOR MODEL

	DT-TS DT-RPTS	PRT-TS PRT-RPTS	PRT/HW-TS	DT-NTS	PRT-NTS	PRT/HW-NTS	PRT-ENTS	DT-ETS	PRT-ETS
Blue Back Lit Screen	Y	Y	Y	Y	Y	Y	Y	Y	Y
5/2 Day Programming Mode	N	Y	Y	N	Y	Y	Y	N	Y
7 Day Programming Mode	N	Y	Y	N	Y	Y	Y	N	Y
Number of Heating Levels	1	4	4	1	4	4	4	1	4
Optimum Start	N	Y	Y	N	Y	Y	Y	N	Y
Number of HW Times	0	0	4	0	0	4	0	0	0
Holiday Function	N	Y	Y	N	Y	Y	Y	N	Y
Keylock Function	Y	Y	Y	Y	Y	Y	Y	Y	Y
Temperature Hold Function	N	Y	Y	N	Y	Y	Y	N	Y
Temperature Override	Y	Y	Y	Y	Y	Y	Y	Y	Y
Temperature Override Limit	Y	Y	Y	Y	Y	Y	Y	Y	Y
Frost Protection	Y	Y	Y	Y	Y	Y	Y	Y	Y
Networking Facility	N	N	N	Y	Y	Y	Y	N	N
°C / °F Option	Y	Y	Y	Y	Y	Y	Y	Y	Y
Built In Air Sensor	Y	Y	Y	Y	Y	Y	Y	Y	Y
Remote Air Sensor	N Y	N Y	N	N	N	N	Y	Y	Y
Remote Air Sensor Included	N Y	N	N	N	N	N	N	N	N
Floor Sensing Mode	N	N	N	N	N	N	Y	Y	Y
Floor Sensor Included	N	N	N	N	N	N	Y	Y	Y
Max Switching Current	3A	3A	3A	3A	3A	3A	3A	16A	16A
Accuracy	+/-1°C	+/-1°C	+/-1°C	+/-1°C	+/-1°C	+/-1°C	+/-1°C	+/-1°C	+/-1°C
Adjustable Switching Differential	0.5 - 3°C	0.5 - 3°C	0.5 - 3°C	0.5 - 3°C	0.5 - 3°C	0.5 - 3°C	0.5 - 3°C	0.5 - 3°C	0.5 - 3°C
Supply	230VAC	230VAC	230VAC	12VDC	12VDC	12VDC	12VDC	230VAC	230VAC

Available In Three Plastic Colour Finishes



White



Silver



Black



Sensor Housing

Part Ref: Heatmiser EN030

This sensor housing is ideal for use in en-suites to house the remote sensor probe.



Remote Sensor Probe

Part Ref: Heatmiser MISC103

This remote sensor probe can be used to measure air and floor temperature. This probe is supplied with a 3 meter cable which can be extended to 20 meters if required.



Battery Thermostats & Time Clocks

Slimline design to compliment any environment

Headline Information

Mounting Type

Battery Thermostats:
Surface mounting

Time Clocks:

Flush mounting

Battery Thermostat Temperature Range

05-35°C

Lock Facility

Yes - All models

Indication Type

LCD with Blue Back Light

Dimensions

Battery Thermostats:

86x99x24mm (L,H,D)

Slimline Time Clocks:

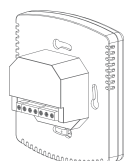
98x85x16mm (L,H,D)

TouchScreen Time Clocks:

92x92x17mm (L,H,D)

E.U. Back Box

Time Clock Only



Battery Thermostat Series

Our battery thermostats are a viable upgrade route for those with a dial thermostat working on a 2 wire system.

The design follows our slimline thermostat series with Non-programmable and Programmable models being available.



Key Features



Battery powered

Powered from 2 x AAA Batteries – suitable for 2 wire heating systems.



Optimum Start

A feature whereby the thermostat calculates the amount of heat up time required, is standard on the Programmable model (PRT-B).



Surface mount

Our battery thermostats are surface mounted for easy installation, making them perfect for the retrofit market.



Key Lock Function

Our battery thermostats are equipped with a key lock helping to prevent energy usage by restricting access.

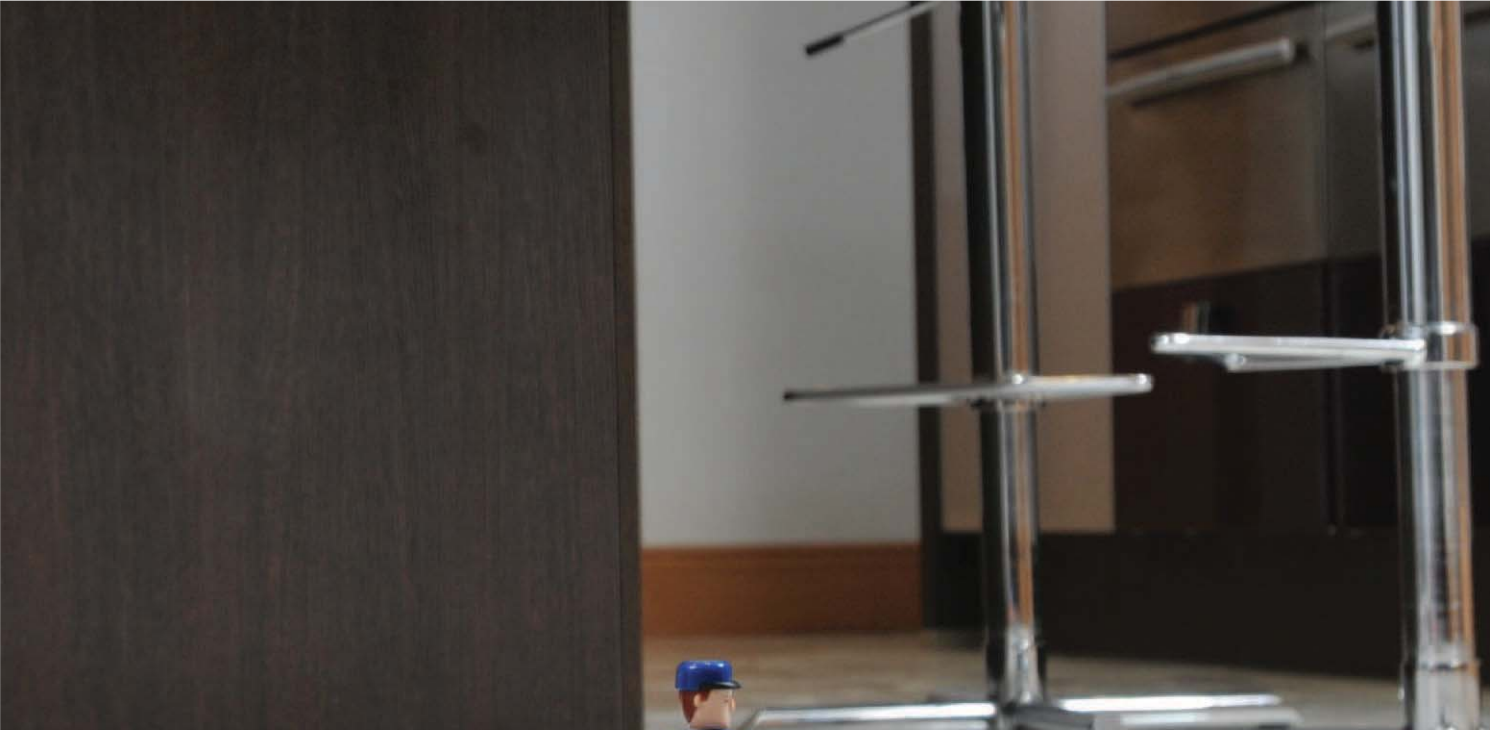
FEATURES

BATTERY THERMOSTATS

	DT-B	PRT-B
5/2 Day Programming Mode	N	Y
7 Day Programming Mode	N	Y
Number of Heating Levels	1	4
Optimum Start	N	Y
Holiday Function	N	Y
Keylock Function	Y	Y
Temperature Hold Function	N	Y
Temperature Override Limit	Y	Y
Frost Protection	Y	Y
°C / °F Option	Y	Y
Built In Air Sensor	Y	Y
Accuracy	+/-1°C	+/-1°C
Adjustable Switching Differential	Y	Y
Supply	2 x AAA	2 x AAA



Battery Thermostat
Part Ref: Heatmiser PRT-B



Slimline Time Clock
Part Ref: Heatmiser TM1



TouchScreen Time Clock
Part Ref: Heatmiser TM1-TS

FEATURES

Blue Back Lit Screen
Keypad/TouchScreen
Number of Zones
5/2 Day Programming Mode
7 Day Programming Mode
Number of Switching Times
+ Boost Facility
Auto/Off/Constant Facility
Copy Facility
Countdown Timer Function
Holiday Function
Keylock Function
Manual Override
Networking Facility
Max Switching Current
Changeover Output Option
Supply

**TIME CLOCKS
230V MODELS**

	TM1	TM1-TS	TM4-TS
Keypad	Y	Y	Y
TouchScreen		Y	Y
Number of Zones	1	1	4
5/2 Day Programming Mode	Y	Y	Y
7 Day Programming Mode	Y	Y	Y
Number of Switching Times	4	4	4
+ Boost Facility	N	N	Y
Auto/Off/Constant Facility	N	N	Y
Copy Facility	N	N	Y
Countdown Timer Function	Y	Y	N
Holiday Function	Y	Y	Y
Keylock Function	Y	Y	Y
Manual Override	Y	Y	Y
Networking Facility	N	N	N
Max Switching Current	3A	3A	3A
Changeover Output Option	Y	Y	N
Supply	230VAC	230VAC	230VAC

**TIME CLOCKS
12V NETWORK MODELS**

	TM1-N	TM1-NTS
Keypad	Y	Y
TouchScreen		Y
Number of Zones	1	1
5/2 Day Programming Mode	Y	Y
7 Day Programming Mode	Y	Y
Number of Switching Times	4	4
+ Boost Facility	N	N
Auto/Off/Constant Facility	N	N
Copy Facility	N	N
Countdown Timer Function	Y	Y
Holiday Function	Y	Y
Keylock Function	Y	Y
Manual Override	Y	Y
Networking Facility	Y	Y
Max Switching Current	3A	3A
Changeover Output Option	N	N
Supply	12VDC	12VDC

Product Ranges

230v **230v Models**
Are designed to work with our UH3 wiring centre and dial thermostat with set back function, providing simple but effective control.

12v **12v Network Models**
Have been designed to work as part of a network system, and can be used in conjunction with our UH1 wiring centre and network products.

Key Features

Number of Zones
A single zone can be controlled on the TM1 series and 4 zones can be controlled on the TM4 series.

Number of Switching Times
4 On/Off times are provided on all time clock models, allowing flexible control of your heating system.

On/Off/Constant
A mode select button providing an easy method of switching between permanent on, permanent off or auto (time clock mode) TM4 only.

Countdown Timer
A simple yet useful function that enables the output for the duration of the programmed countdown time.

+ Boost Facility
This programmable function allows you to extend the program time, in 30 minute increments - ideal for unscheduled operation of the system.

From Towel Rails to Lighting
All time clock models can be used to control anything - not just your heating system. In fact, those using our networking system can control each time clock independently from the TouchPad or over the internet, so it makes sense to use one of our time clocks wherever you want complete control.



Wireless Thermostats

Wireless design for easy installation

Wiring a conventional thermostat often includes lifting floor-boards or chasing out plaster work. Our wireless thermostats offer an effective alternative, and are the ideal choice for extensions or when you are looking to relocate your thermostat.

Headline Information

Mounting Type

TouchScreen:
Desk & Wall mounting
Slimline:
Wall mounting

Temperature Range

05-35°C
41-95°F

Lock Facility

Yes - All models

Indication Type

LCD with Blue Back Light

Dimensions

TouchScreen Thermostats:
110x100x21mm (L,H,D)
Battery Thermostats:
86x99x24mm (L,H,D)



Key Features



Relocate

Many thermostats are sited incorrectly, causing your boiler to come on more than necessary. A wireless thermostat allows you to move your thermostat to a more suitable position, without the need to run additional cables. What's more, our TouchScreen models have a desk stand, enabling you to move the thermostat around the house with you.



Key Lock Function

A simple way to reduce tampering of the system settings, and standard across our wireless thermostat series.



Rechargeable Battery

(TouchScreen models only)
Our Wireless TouchScreen series incorporate a rechargeable battery, saving money on replacement batteries. A USB recharge cable is provided, and an optional plug-in charger is available.



Fail Safe

A loss of wireless connection could leave your home vulnerable to frost damage. The fail safe function enables the heating for 20% of the time, ensuring the temperature in your home does not drop to dangerous levels.



Electric Floor Model

The electric floor heating models are capable of switching up to 16A and use a floor limiting sensor to protect the floor surface.



Easily Change Batteries



TouchScreen Wireless Thermostat Series



Rechargeable Battery (via USB)



Slimline Wireless Thermostat Series



FEATURES	AIR ONLY MODELS					ELECTRIC FLOOR MODELS		AIR ONLY MODELS					ELECTRIC FLOOR MODELS	
----------	-----------------	--	--	--	--	-----------------------	--	-----------------	--	--	--	--	-----------------------	--

	SLIMLINE WIRELESS SERIES										TOUCHSCREEN WIRELESS SERIES					
	DT-W	PRT-W	PRTHW-W	DT-EW	PRT-EW	DT-WTS	DT-UWTS	PRT-WTS	PRT-UWTS	PRTHW-WTS	PRTHW-UWTS	DT-EWTS	PRT-EWTS			
COMPATIBLE RECEIVERS																
RC1-W Compatible	Y	Y	Y	N	N	N	N	N	N	N	N	N	N			
RC2-W Compatible	N	N	N	Y	Y	N	N	N	N	N	N	N	N			
RC1-WTS Compatible	N	N	N	N	N	Y	N	Y	N	Y	N	N	N			
RC2-WTS Compatible	N	N	N	N	N	N	N	N	N	N	N	Y	Y			
UH1-W Compatible	Y	Y	Y	N	N	N	Y	N	Y	N	Y	N	N			
Temperature Range	05-35 °C 41-95 °F	05-35 °C 41-95 °F	05-35 °C 41-95 °F	05-35 °C 41-95 °F	05-35 °C 41-95 °F	05-35 °C 41-95 °F		05-35 °C 41-95 °F		05-35 °C 41-95 °F		05-35 °C 41-95 °F	05-35 °C 41-95 °F			
5/2 Day Programming Mode	N	Y	Y	N	Y	N		Y		Y		N	Y			
7 Day Programming Mode	N	Y	Y	N	Y	N		Y		Y		N	Y			
Number of Heating Levels	1	4	4	1	4	1		4		4		1	4			
Optimum Start	N	Y	Y	N	Y	N		Y		Y		N	Y			
Number of HW Times	0	0	4	0	0	0		0		4		0	0			
Holiday Function	N	Y	Y	N	Y	N		Y		Y		N	Y			
Keylock Function	Y	Y	Y	Y	Y	Y		Y		Y		Y	Y			
Temperature Hold	N	Y	Y	N	Y	N		Y		Y		N	Y			
Temperature Override	Y	Y	Y	Y	Y	Y		Y		Y		Y	Y			
Frost Protection	Y	Y	Y	Y	Y	Y		Y		Y		Y	Y			
°C / °F Option	Y	Y	Y	Y	Y	Y		Y		Y		Y	Y			
Built in Air Sensor	Y	Y	Y	Y	Y	Y		Y		Y		Y	Y			
Remote Air Sensor Connection	N	Y	N	Y	Y	N		N		N		N	N			
Remote Air Sensor Included	N	N	N	N	N	N		N		N		N	N			
Floor Sensing Mode	N	N	N	Y	Y	N		N		N		Y	Y			
Floor Sensor Included	N	N	N	N	N	N		N		N		N	N			
Accuracy	+/-1°C	+/-1°C	+/-1°C	+/-1°C	+/-1°C	+/-1°C		+/-1°C		+/-1°C		+/-1°C	+/-1°C			
Adjustable Switching Differential	Y	Y	Y	Y	Y	Y		Y		Y		Y	Y			
Wireless Fail Safe Function	Y	Y	Y	Y	Y	Y		Y		Y		Y	Y			
RF Frequency	868MHz	868MHz	868MHz	868MHz	868MHz	433MHz 868MHz		433MHz 868MHz		433MHz 868MHz		433MHz				
Operational Radio Range (Open Space)	Up to 100M	Up to 100M	Up to 100M	Up to 100M	Up to 100M	Up to 100M		Up to 100M		Up to 100M		Up to 100M				
Power	2 x AAA	2 x AAA	2 x AAA	2 x AAA	2 x AAA	Rechargeable Battery (Mini USB Connection)										
Battery Lifetime	Typically 1 Year	Typically 1 Year	Typically 1 Year	Typically 1 Year	Typically 1 Year	Typically 6-8 Months		Typically 6-8 Months		Typically 6-8 Months		Typically 6-8 Months				
USB Power Lead Included	N	N	N	N	N	Y		Y		Y		Y				
Mounting Type	Wall	Wall	Wall	Wall	Wall	Wall/Desk Stand		Wall/Desk Stand		Wall/Desk Stand		Wall/Desk Stand				
Dimensions	85mm(L) x 98mm(H) x 24mm(D)					110mm(L) x 100mm(H) x 20mm(D)										



Wireless Receivers

Our wireless receivers are designed to work with our wireless thermostats and are ideally suited to electric and water underfloor heating as well as conventional radiator systems.

Headline Information

Mounting Type

Slimline & TouchScreen Receivers:
Flush Mounting
UH1-W Wiring Centre:
Wall Mount

Indication Type

LED

Dimensions

Slimline & TouchScreen Receivers:
86x86x16mm (L,H,D)
Wiring Centre Receiver:
290x200x70mm (L,H,D)

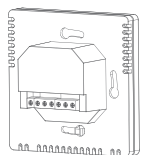
Compatibility

Wireless Slimline Thermostats
DT-W, PRT-W, PRT-EW, PRTHW-W
Wireless TouchScreen Thermostats
DT-UWTS, PRT-UWTS,
PRTHW-WUTS

Wireless Receivers

UH1-W, RC1-W, RC2-W

E.U. Back Box



Slimline Thermostat Wireless Receivers



Wireless Receiver for Twin Heating Zones

Part Ref: Heatmiser RC1-W

The RC1-W is our flush mount wireless thermostat receiver. It is capable of controlling two heating zones, using our DT-W/PRT-W or one heating and one hot water zone, using our PRTHW-W.

Wireless Receiver for Electric Underfloor Heating

Part Ref: Heatmiser RC2-W

The RC2-W is our flush mount wireless thermostat receiver designed specifically for electric floor heating. This receiver is designed to work with our DT-EW or PRT-EW thermostat and is supplied with a 3 meter floor limiting sensor.

TouchScreen Thermostat Wireless Receivers



Wireless Receiver for Twin Heating Zones

Part Ref: Heatmiser RC1-WTS

The RC1-WTS is our flush mount wireless thermostat receiver designed to work with our TouchScreen wireless thermostats. Two heating zones can be controlled using our DT-WTS/PRT-WTS or alternatively, one heating and one hot water zone can be controlled from this receiver using our PRTHW-WTS.



Slimline Wireless Repeater

Part Ref: WR1

The WR1 is our 230v powered wireless repeater, designed to extend the communication distance between the thermostat and receiver.



FEATURES

SLIMLINE THERMOSTAT RECEIVERS

TOUCHSCREEN THERMOSTAT RECEIVERS

Mounting Type
Compatible with
Number of Zones
Fail Safe Function
Power
Relays
Rating
Optional Extendable Aerial
Operating Frequency
Operating Radio Range (Open Space)
No of Receiver Addresses
Pump Output
Zone, HW & Pump Output Test Mode
Boiler Enable
HW Cylinder Thermostat Connection
Per Zone UFH or Radiator Selection

RC1-W	RC2-W	UH1-W
Flush	Flush	Surface
DT-W, PRT-W PRTHW-W, WiFi RF Models (Excluding - PRT-ETS WiFi RF)	DT-EW, PRT-EW, PRT-EWTS WiFi RF	DT-W, PRT-W, PRTHW-W DT-UWTS, PRT-UWTS, PRTHW-UWTS
2 Heating Zones or 1 Heating & Hot Water Zone	1 Electric Floor Heating Zone	8 Water Underfloor Heating or Radiator Zones
Y	Y	Y
230VAC	230VAC	230VAC
2	1	8
3A	16A	
N	N	Y
868MHz	868MHz	868MHz
100M	100M	100M
32	32	9
N	N	Y
N	N	Y
N	N	Y
N	N	Y
N	N	Y

RC1-WTS	RC2-WTS
Flush	Flush
DT-WTS, PRT-WTS, PRTHW-WTS	DT-EWTS, PRT-EWTS
2 Heating Zones or 1 Heating & Hot Water Zone	1 Electric Floor Heating Zone
Y	Y
230VAC	230VAC
2	1
3A	16A
N	N
433MHz	433MHz
100M	100M
10	10
N	N
N	N
N	N
N	N
N	N

Wireless Wiring Centre



Wireless 230v 8 Zone Wiring Centre

Part Ref: Heatmiser UH1-W

The UH1-W is designed to be used in conjunction with our compatible wireless thermostats.

The UH1-W provides central switching and is therefore ideally situated next to the underfloor heating manifold. Eight zones can be controlled as well as providing an output for a hot water cylinder. On demand from any zone, a 230v output is provided to switch the relevant zone actuators, underfloor heating pump and valve. A volt free connection is supplied for the boiler, making it compatible with almost all types of boilers. Up to six actuators can be connected to each zone. An external aerial is available for use when the UH1-W is being mounted in a metal cupboard or when the wireless signal is restricted.

A software option in the thermostat allows you to configure which zones are underfloor heating and which zones are radiators. Radiator zones will not enable the underfloor heating pump and underfloor heating valve when there is a call for heat.



WiFi Thermostats

Single Zone Solution

Now is the time to upgrade your existing thermostat and take control of your heating system from anywhere. The TouchScreen WiFi Thermostats have an in-built web server, meaning you can access your heating system from any internet enabled web browser or iPhone and Android smartphone.

Headline Information

WiFi Connectivity Standard

802.11b

WiFi Security

WEP (Open Mode)
WPA and WPA2

Smartphone App

iPhone / iPad
Android Tablet & Phone

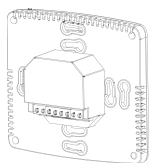
Dimensions

110x100x17.5mm (L,H,D)
(Depth after installation)

Mounting Type

Flush mounting

E.U. Back Box



Key Features

WiFi Connectivity

Our WiFi Thermostats use the 802.11b WiFi Network standard, which means they are compatible with most WiFi routers on the market. WEP, WPA and WPA2 security systems are supported.

5/2 Day & 7 Day Programming

5/2 Day mode is ideal for those who keep to one schedule Monday – Friday and another for the weekend. 7 day mode allows you to have a different schedule for each day of the week – ideal for families with changing schedules. No need to decide now, our thermostat offers both modes for you to select later.

Simple Setup via your PC

Setting up the WiFi Thermostat couldn't be easier. Simply plug the thermostat into a spare USB port on your PC, and using the provided utility enter the details of your WiFi Network. During the configuration process, the thermostat takes its power from your PC.

Web Browser and Smartphone Control

Our WiFi Thermostats have a built in web server, meaning you can control your heating system from any web browser locally in your home or from anywhere in the world. Those with an iPhone or Android smartphone can benefit from our free app – providing you with what must be the easiest and most convenient way to control your home heating.

Temperature Hold Facility

This function allows you to hold a set temperature for a specific duration - ideal for parties. After the hold duration, the thermostat will revert back to the programmed setting.

230v or RF Switching

Two ranges are available in this series, both are powered by 230v. The standard model offers volt free switching, ideal for those looking to upgrade an existing thermostat. The RF range sends the switch signal via the 868MHz radio frequency to our RC1-W/UH1-W receivers and are ideal for those looking for a simple to install system.



FEATURES

WiFi THERMOSTATS

	DT-TS WiFi	DT-TS WiFi RF	PRT-TS WiFi	PRT-ETS WiFi	PRT-TS WiFi RF	PRTHW-TS WiFi	PRTHW-TS WiFi RF	TM1-TS WiFi	TM1-TS WiFi RF	PRT-ETS WiFi RF Kit	
Switching Mode	Wired	Radio	Wired	Wired	Radio	Wired	Radio	Wired	Radio	Radio	
WiFi Network Standard	802.11b	802.11b	802.11b	802.11b	802.11b	802.11b	802.11b	802.11b	802.11b	802.11b	
WiFi Security	Support for WEP (Open Mode), WPA and WPA2 security using password authentication										
App Control	Y	Y	Y	Y	Y	Y	Y	Y	Y	Y	
Web Browser Control	Y	Y	Y	Y	Y	Y	Y	Y	Y	Y	
Temperature Range	05-35 °C 41-95 °F							NA	NA	05-35 °C 41-95 °F	
5/2 Day Programming Mode	N	N	Y	Y	Y	Y	Y	Y	Y	Y	
7 Day Programming Mode	N	N	Y	Y	Y	Y	Y	Y	Y	Y	
Number of Heating Levels	1	1	4	4	4	4	4	0	0	4	
Optimum Start	N	N	Y	Y	Y	Y	Y	N	N	Y	
Number of Time Settings	0	0	0	0	0	4	4	4	4	0	
Holiday Function	N	N	Y	Y	Y	Y	Y	N	N	Y	
Keylock Function	Y	Y	Y	Y	Y	Y	Y	Y	Y	Y	
Temperature Hold	N	N	Y	Y	Y	Y	Y	N	N	Y	
Temperature Override	Y	Y	Y	Y	Y	Y	Y	N	N	Y	
Frost Protection	Y	Y	Y	Y	Y	Y	Y	N	N	Y	
°C / °F Option	Y	Y	Y	Y	Y	Y	Y	N	N	Y	
Built In Air Sensor	Y	Y	Y	Y	Y	Y	Y	N	N	Y	
Accuracy	+/-1°C	+/-1°C	+/-1°C	+/-1°C	+/-1°C	+/-1°C	+/-1°C	N/A	N/A	+/-1°C	
Adjustable Switching Differential	Y	Y	Y	Y	Y	Y	Y	N	N	Y	
Wireless Fail Safe Function	N	Y	N	N	Y	N	Y	N	Y	Y	
Operational Frequency	N/A	868MHz	N/A	N/A	868MHz	N/A	868MHz	N/A	868MHz	868MHz	
Operational Radio Range (Open Space)	N/A	Up To 100M	N/A	N/A	Up To 100M	N/A	Up To 100M	N/A	Up To 100M	Up To 100M	
USB Lead Included	Y	Y	Y	Y	Y	Y	Y	Y	Y	Y	
Mounting Type	All Models Flush Mounting										
Dimensions	All Models 110mm(L) x 100mm(H) x 17.5mm(D)										
Supply	230VAC	230VAC	230VAC	230VAC	230VAC	230VAC	230VAC	230VAC	230VAC	230VAC	
Switching Current	3A	N/A	3A	16A	N/A	N/A	N/A	3A	N/A	16A	
Floor Sensing Mode	N	N	N	Y	N	N	N	N	N	Y	
Floor Sensor Included	N	N	N	Y	N	N	N	N	N	Y	
Remote Air Sensor Compatible	N	Y	N	N	Y	N	Y	N	N	Y	
Compatible Receivers (Page. 12-13)											
RC1-W Compatible	N	Y	N	N	Y	N	Y	N	Y	Y	
RC2-W Compatible	N	N	N	N	N	N	N	N	N	Y	
UH1-W Compatible	N	Y	N	N	Y	N	Y	N	Y	Y	



Multi Zone WiFi Solutions

Multi-Link Multi-Zone

Heatmiser Multi-Link enables you to control up to 32 WiFi enabled Thermostats from our smartphone applications. Taking care of the thermostat port forwarding, Multi-Link acts as gateway to your WiFi Network drastically simplifying the setup procedure.

Headline Information

- Real time temperature display
- Edit your heating levels
- Edit your hot water times
- Lock your thermostat
- Hold a temperature

Compatible with
All WiFi Thermostat Models

Connection method
3G and WiFi Networks

Router
Use your own WiFi router to connect with Multi-link using our smartphone and tablet applications.

Apps
Free to download from the App Store & Google Play Store.

Total control from anywhere using your smartphone.

Key Features

Room Name
Individual room names can be entered during the setup procedure. Room names are displayed on the dashboard and the individual room screen.

Network Caching
Multi-Link uses its built in cache to store the data for each thermostat on the network, greatly improving the user experience on our smartphone applications.

History Logging
The Multi-Link records the last 7 days temperature history for each thermostat connected to the system. The temperature data is recorded every 15 minutes and can be viewed on your smartphone or tablet.

Global Commands
Locking several thermostats, holding a temperature in several zones or placing your system in Away mode is possible with the use of the Multi-Link.

FEATURES	MULTI-LINK
WiFi Module	802.11b
Max No of Thermostats	32
Mounting	Wall & Desk
Aerial	Built in
Power	12v DC Adaptor Supplied
Dimensions	150mm(H) x 91mm(W) x 22mm(D)





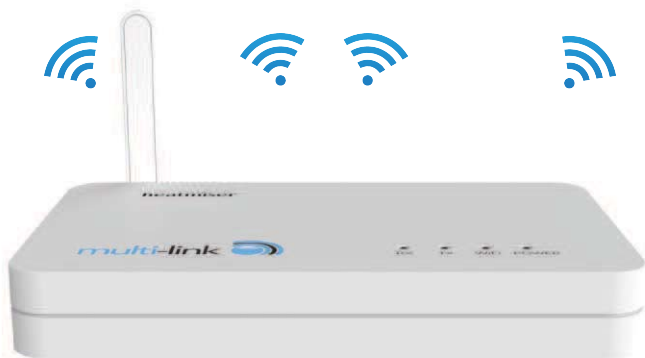
Control up to 32 WiFi Thermostats direct from your smartphone



Smartphones



WiFi Thermostats



Heatmiser Multi-Link



WiFi Router

App Summary

Our smartphone apps, available for free from the App Store and Google Play Store, must be the easiest and most convenient way to control your heating system. The app allows you to control your heating system, including hot water* from your smartphone within your home and remotely whilst away.

(*Selected models)





neoStat

Modern touch technology

The neoStats have been designed to be simple to use and make programming simple with the new intuitive menu navigation. The neoStats can be controlled from anywhere thanks to the plug and play neoHub, and are available in Glacier White and Sapphire Black.

Headline Information

Mounting Type
Flush mounting

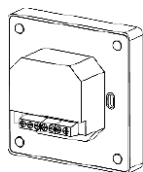
Temperature Range
05-35°C
41-95°F

Lock Facility
Yes - All models

Indication Type
LCD with Blue Back Light

Dimensions
85x85x40mm (L,H,D)
(15mm Installed)

E.U. Back Box



Key Features

Modern Slimline Appearance
The neoStat thermostat series is flush mounting, resulting in a depth of only 15mm after installation.

Heat or Timer Option
The neoStat can be setup to work in either Heat or Timer mode, so is perfect for controlling heating zones or timer zones such as towel rails and hot water. The quick setup menu enables the installer or home owner to select between the two modes, and by incorporating the two modes into one product means one less SKU for stockists.

Easy Navigation
The neoStat series offers an easy to navigate programming system, providing all of the options across the bottom of the blue back lit display.

Energy Saving Optimum Start
Calculates the amount of heat up time required to ensure your home is warm when you wake and return home. This is automatically optimised throughout the year to save you money.

Wireless Networking
Although the heating signal is hard wired, the communication data is sent wirelessly via our mesh network to the neoHub. Our Neo network has been designed to offer a reliable and scalable network system, offering control of up to 32 neoStats on one network. The neoHub will automatically route the data around your home ensuring range is never an issue.

Soft Touch Operation
Modern touch sensitive keys provide a clean smooth interface, adding further to the premium feel of the neoStat series.

Temperature Hold Facility
Allows you to hold a set temperature for a specific duration - ideal for parties. After which, the thermostat will revert back to the programmed setting.

Perfect for New Build & Retrofit
As the neoStat is mains powered, it is perfect for new homes and for retrofitting to existing properties as there are no requirements for CAT5 Data cable and you don't need to worry about replacing batteries either!



FEATURES

STANDARD MODELS

ELECTRIC FLOOR MODEL

Available In Two Stunning Colours

	neoStat	neoStat-hw	neoStat-e
Temperature Range	05-35 °C 41-95 °F	N/A	05-35 °C 41-95 °F
Blue Back Lit Screen	Y	Y	Y
Non-Programmable Mode	Y	N	Y
5/2 Day Programming Mode	Y	Y	Y
7 Day Programming Mode	Y	Y	Y
24 Hour Programming Mode	Y	Y	Y
Number of Heating Levels	4	N/A	4
Optimum Start	Y	N	Y
Number of HW Times	0	4	0
Holiday Function	Y	Y	Y
Temperature Hold Function	Y	N	Y
Temperature Override	Y	N	Y
Temperature Override Limit	Y	N	Y
Frost Protection	Y	N	Y
Networking Facility	Y	Y	Y
°C / °F Option	Y	N	Y
Remote Air Sensor Connection	Y	N	Y
Built In Air Sensor	Y	N	Y
Floor Sensing Mode	Y	N	Y
Floor Sensor Included	N	N	Y
Max Switching Current	3A	3A	16A
Accuracy	+/- 1°C	N/A	+/- 1°C
Adjustable Switching Differential	+/- 1-3°C	N/A	+/- 1-3°C
Supply	230VAC	230VAC	230VAC
Output	Volt Free Contact	Changeover	230VAC
Installed Dimensions	85x85x15mm (L,H,D)		85x85x15mm (L,H,D)
Weight	128g	128g	128g



Sapphire Black



Glacier White



Sensor Housing

Part Ref: Heatmiser EN030

This sensor housing is ideal for use in en-suites to house the remote sensor probe.



Remote Sensor Probe

Part Ref: Heatmiser MISC103

This remote sensor probe can be used to measure air and floor temperature. This probe is supplied with a 3 meter cable which can be extended to 20 meters if required.



Multi-Zone Control

Modern touch technology

The neoStat has been designed to replace a standard mains powered thermostat and provides the ability to create a network system, with local and remote access. With neo you can control your heating from anywhere using your smartphone or tablet.

Headline Information

Mounting Type
Flush mounting

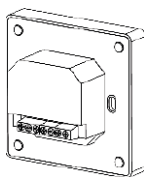
Connectivity Standard
Wireless Mesh Network Technology

Lock Facility
Yes - All models

SmartPhone App
iPhone / iPad
Android Tablet & Phone
Kindle Devices
Supported

Dimensions
85x85x40mm (L,H,D)
(15mm Installed)

E.U. Back Box



Key Features



Local Control (In case of loss of Broadband Connection)

Should the internet connection fail, the heating system can still be operated within the home by using the thermostat keypad. As soon as the internet connection is restored, your neoHub will automatically logon to the Cloud Server re-enabling app control.



Multi Zone

The Heatmiser Neo Network system has been built from the ground up with multi zone homes in mind. The neoHub coordinates the data between each neoStat thermostat on the network.



API - Third Party Integration

Our published API (JSON) makes it easy for third party integration companies to integrate our Neo Network System with leading home automation brands products from companies such as Control4 and Crestron.



Plug and Play

The neoHub connects directly to a spare port on your router, obtaining an IP Address and joining itself to your home network. It has been designed to be simple to install and setup, and is compatible with broadband connections with Dynamic IP Addresses. The neoHub connects to our Cloud Server eliminating any complex setup requirements including port forwarding.



Multi-Locations

During the installation of the app, you are prompted to create an account on the Heatmiser Cloud Server after which multiple locations can be created. Logging into to your account from another device will present all of your Locations for quick and easy access.



neo Stat



neo Hub



neo App



neo App Control From Anywhere™

From the moment you download and install the neoApp on your mobile device you will be surprised how easy it is to have access to your multi zone heating system from your Smartphone.

During the installation, you are prompted to enter the program mode and temperature format you require for the system. These settings are then applied to all thermostats on the system reducing the overall setup time. 24 hour mode, 5/2 day or 7 day program modes can be selected.

Global Functions



Temperature Hold

Need an easy way to override the programmed temperature and apply to a number of rooms around your home. No problem, the temperature hold allows this - and it's so easy to use.



Home/Away and Holiday Programming

The easy to use Home/Away feature allows you to place the entire system into frost protection mode, alternatively if you know you will return in a certain number of days that can be programmed too. Whether you choose to cancel Away mode at the airport or enter your return date is your choice, but arriving home to a cold house is no longer something you have to do.



Profiles

Do you find yourself constantly re-programming the comfort levels on your thermostat as and when your shift pattern changes at work? Well, with the Profile feature, you can save various comfort level settings, and apply them to a number of different rooms. You can then quickly access the profile from your Smartphone or Tablet and run the profile - overriding the comfort levels in the thermostat. Simple, effective, time saving and energy efficient too.



Intuitive Dashboard

See the Room Temperature and Status of all Zones on your system in the interactive dashboard.

Zone Level



Real Time Display

Our Smartphone Apps present the real time view of the temperature in your home - no more wondering if your home is freezing whilst you are away on your winter holiday.



Easy Programming

We are often told that our thermostats are easier to program than others on the market - but we have to admit using the Smartphone app makes programming the system is even easier.



Configure Thermostat Parameters

Many of the system parameters, such as switching differential, optimum start and frost temperature can be set via the app - giving you even more control of your system.



Base Level Water Underfloor Heating & Radiator System

230V Underfloor & Radiator System With Set Back Facility

Our base level water underfloor heating system uses our UH3 8 zone wiring centre, flush mount set back thermostats and 4 zone TouchScreen time clock to create a simple yet cost effective solution.

Headline Information

Connections for
8 x Zone outputs
(suitable for 230v actuators)
230v Output for UFH Pump & Valve Control
Volt Free Boiler Enable

Component Dimensions

Time Clock
110x100x17mm (L,H,D)
Set Back Thermostat
92x92x17mm (L,H,D)
Wiring Centre
290x200x70mm (L,H,D)

Providing

Wiring centre, controlling up to 8 zones
4 Zone Master Time Clock
230v Set Back Thermostat in each room

Product List

8 Zone Wiring Centre
Part Ref: Heatmiser UH3
(See page 35)
4 Zone Time Clock
Part Ref: Heatmiser TM4
(See page 11)
Set Back Thermostat
Part Ref: Heatmiser DS-SB
(See page 03)

Key Features

Simple Effective Control
Our base level heating system offers simple but effective control of up to eight zones*. The UH3 wiring centre is the hub of this system and is designed to work with our four channel 230v Time Clock (TM4) and 230v Set Back Thermostat (DS-SB). On board the UH3 are two heating time channels. Each zone allows you to specify which time channel it should follow. Two additional time channel connections are provided for hot water control or other auxiliary devices.

** Additional zones can be controlled with the use of a second UH3.*

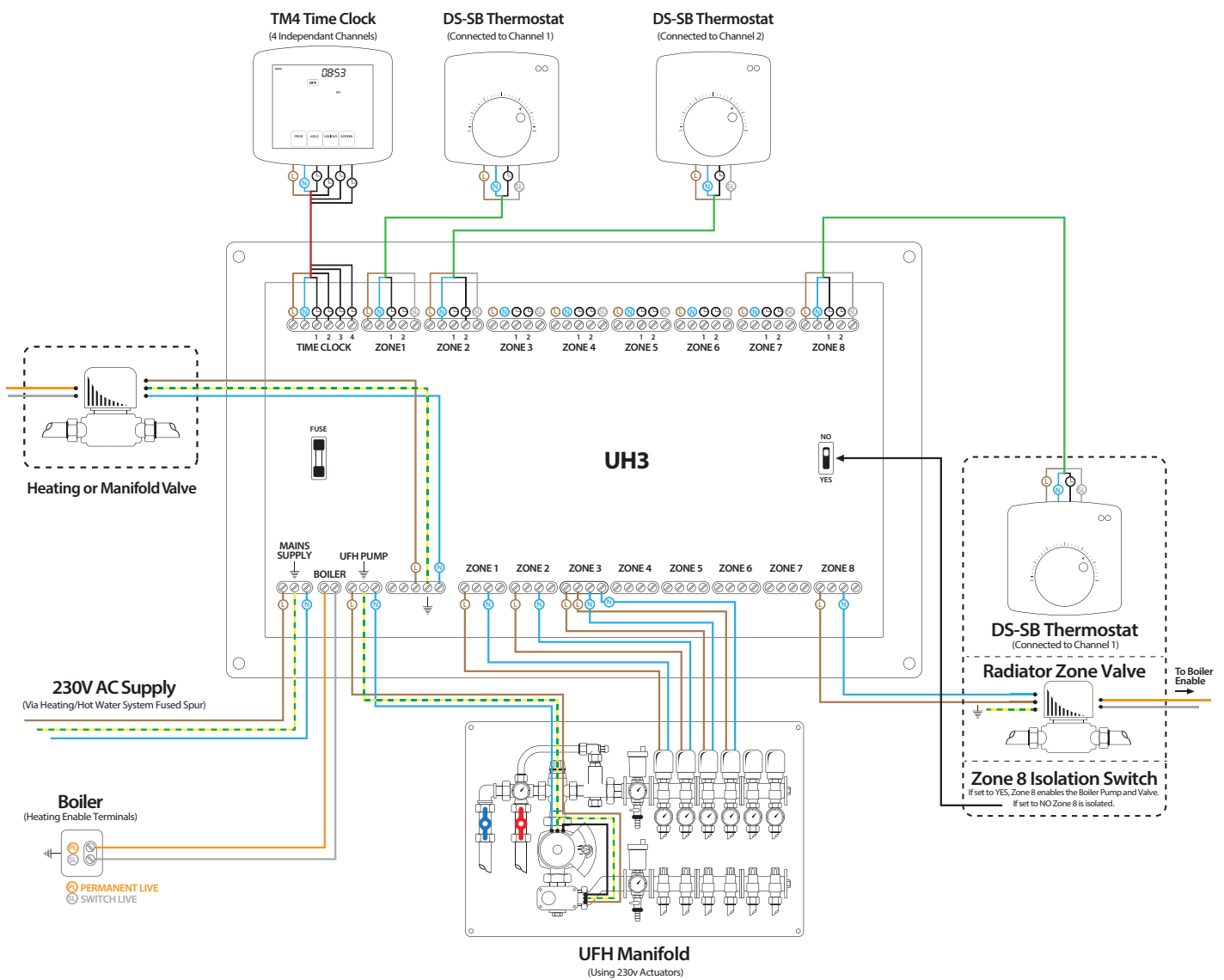
Neon Indication Window
A window is provided on the UH3 allowing you to see the power, zone, boiler and valve status without the need to remove the cover.

Simple Connectivity
The UH3 allows the connection of up to eight 230v room thermostats. On demand from any zone, a 230v output is provided to switch the relevant zone actuator, underfloor heating pump and valve. A volt free connection is supplied for the boiler, making it compatible with almost all types of boilers.

Set Back Function
The set back function is a simple way of reducing energy costs by automatically reducing the set temperature when the heating is timed to be off. Standard dial thermostats are either on or off according to the time clock controlling the system. A Set Back Thermostat is different. It will follow the temperature set on the dial during the timed period and will automatically reduce the set temperature by 4°C when its timed to be off.

Radiator Zone Control
A simple slide switch makes zone eight suitable for controlling a radiator zone. When used for controlling radiators, zone 8 does not enable the underfloor heating pump, valve and boiler.

230v Models
Are designed to work with our UH3 wiring centre and dial thermostat with set back function, providing simple but effective control.



Standard Products



8 Zone Wiring Centre
Part Ref: Heatmiser UH3



4 Zone Time Clock
Part Ref: Heatmiser TM4-TS



Set Back Thermostat
Part Ref: Heatmiser DS-SB



Wireless Water Underfloor Heating & Radiator System

Designed to be easy to install and operate

Our wireless system is compatible with our wireless thermostats. Communication between the thermostat and wiring centre is achieved by reliable RF (radio frequency) communication, using the 868Mhz frequency band. This means the installer only needs to wire the boiler, pump and actuator connections, which are normally all local to the wiring centre.

Headline Information

Providing

Wiring centre, controlling up to eight zones
Wireless thermostat in each room

Product List

8 Zone Wiring Centre

(expandable up to 72 Zones)

Part Ref: UH1-W

(See page 34)

Compatible wireless thermostat

Examples:

Wireless Slimline Thermostat

Part Ref: PRT-W

Wireless TouchScreen Thermostat

Part Ref: PRT-UWTS

(See page 12-13 for complete range)

Optional Products

External Aerial

Part Ref: EA1

Slimline Wireless Repeater

Part Ref: WR1

Key Features

Simple Pairing Process

Up to nine UH1-W can be used within the same building, allowing control of up to 72 zones. Each UH1-W has an address setting, clearly marked on the PCB. This address, along with the relevant zone number is configured in the thermostat and that's it - a simple to install, setup and operate system.

Hot Water Control

The UH1-W also takes care of the hot water. A cylinder thermostat connection and 230v hot water valve output are provided. The PRTHW-W / PRTHW-UWTS is our heating and hot water model, offering time and temperature control of the heating and time control of the hot water.

External Aerial

Our external aerial is designed to work with our UH1-W Wireless Receiver. Should the UH1-W be installed in a metal cupboard or where the RF signal is weak, an external aerial can be used. This 3 meter long aerial is equipped with a magnetic base for simple installation. It is also perfect for extending the RF coverage within your property.

Connectivity

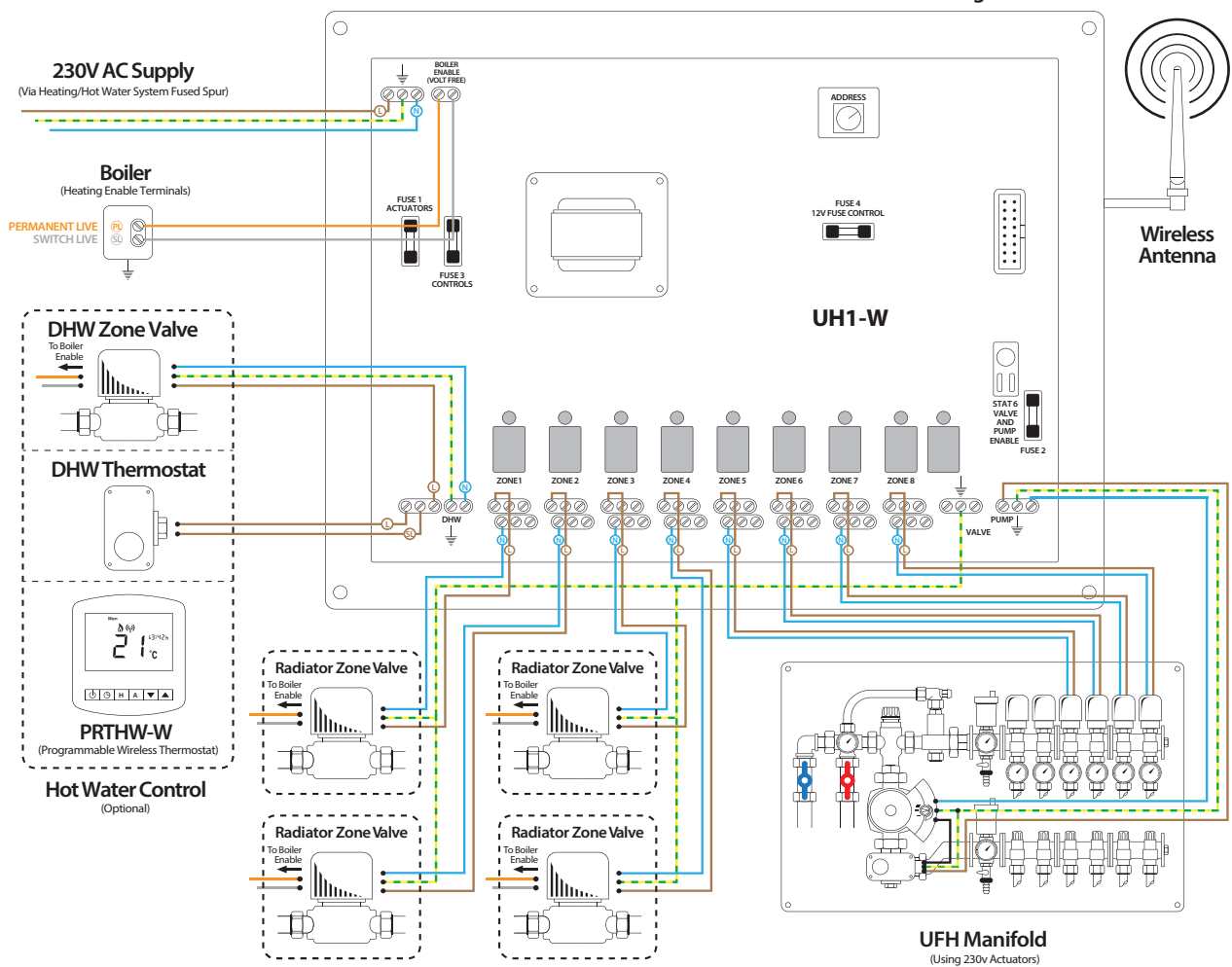
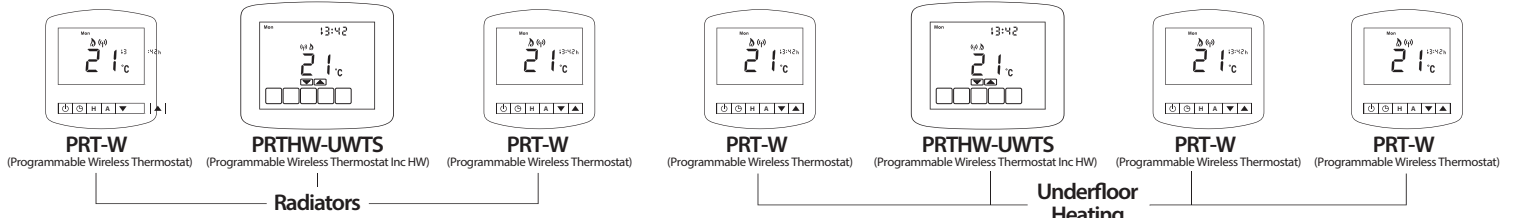
The UH1-W works with up to eight compatible wireless thermostats. On demand from any zone, a 230v output is provided to switch the relevant zone actuator, underfloor heating pump and valve. A volt free connection is supplied for the boiler, making it compatible with almost all types of boilers.

Radiator or Underfloor

A software option in the thermostat allows you to configure which zones are underfloor heating and which zones are radiators. Radiator zones will not enable the underfloor heating pump and underfloor heating valve where there is a call for heat.



External Aerial
Part Ref: EA1



Standard Products



Wireless 8 Zone Wiring Centre
Part Ref: Heatmiser UH1-W



Wireless Slimline Thermostat
Part Ref: Heatmiser PRT-W



Wireless TouchScreen Thermostat
Part Ref: Heatmiser PRT-UWTS



Low Voltage Network Control Solution

Total control of your home heating system

Our deluxe system uses our 12v Network Thermostats to create a truly flexible and expandable system. Use the Heatmiser Touchpad for instant access to your heating system. Those with a Smartphone or Tablet can control their system locally and remotely via our free app.*

Headline Information

Providing

Wiring Centre, controlling up to 8 zones
12v Programmable Thermostats in each room
Optional Central Control and Internet Access

**iOS and Android devices supported*

Product List

8 Zone Wiring Centre
(expandable up to 32 Zones)
Part Ref: Heatmiser UH1
(See page 34)

Slimline Thermostat
Part Ref: Heatmiser PRT-N
(See page 04-05 for complete slimline range)

TouchScreen Thermostat
Part Ref: Heatmiser PRT-NTS
(See page 08-09 for complete TouchScreen range)

Cable Type
Belden 9538 or Cat5(e)-ftp

Optional Products

Internet Control
Part Ref: NetMonitor / NetMonitor +
(See page 32-33 for details)

Central Control
Part Ref: Heatmiser TouchPad
(See page 30-31 for details)

Key Features

32 ZONES Complete Network Control
Our deluxe heating system offers control of up to 32 zones. What's more, it provides the ability to control the entire heating system centrally, with the TouchPad, or from anywhere in the world with the NetMonitor. Designed to be used in conjunction with our Slimline or TouchScreen 12v Network Thermostats, our deluxe heating system really is a complete package for those wanting superior control of their heating system.

Hot Water Control
The UH1 also takes care of the hot water. A cylinder thermostat connection and a 230v hot water valve output are provided. Controlling the hot water from the UH1 makes sense, not only because it simplifies the wiring, but also because it enables you to control your hot water centrally from the TouchPad and remotely from the NetMonitor.

Network Connection
Network ports are provided allowing easy connection to our network products. For more information on our network products, see page 30-33.

Optional Products

Internet Control
The NetMonitor gives local and remote access from any web browser giving unrivalled control of your heating system. The NetMonitor + offers SMS (Text Messaging) in addition to web browser control.

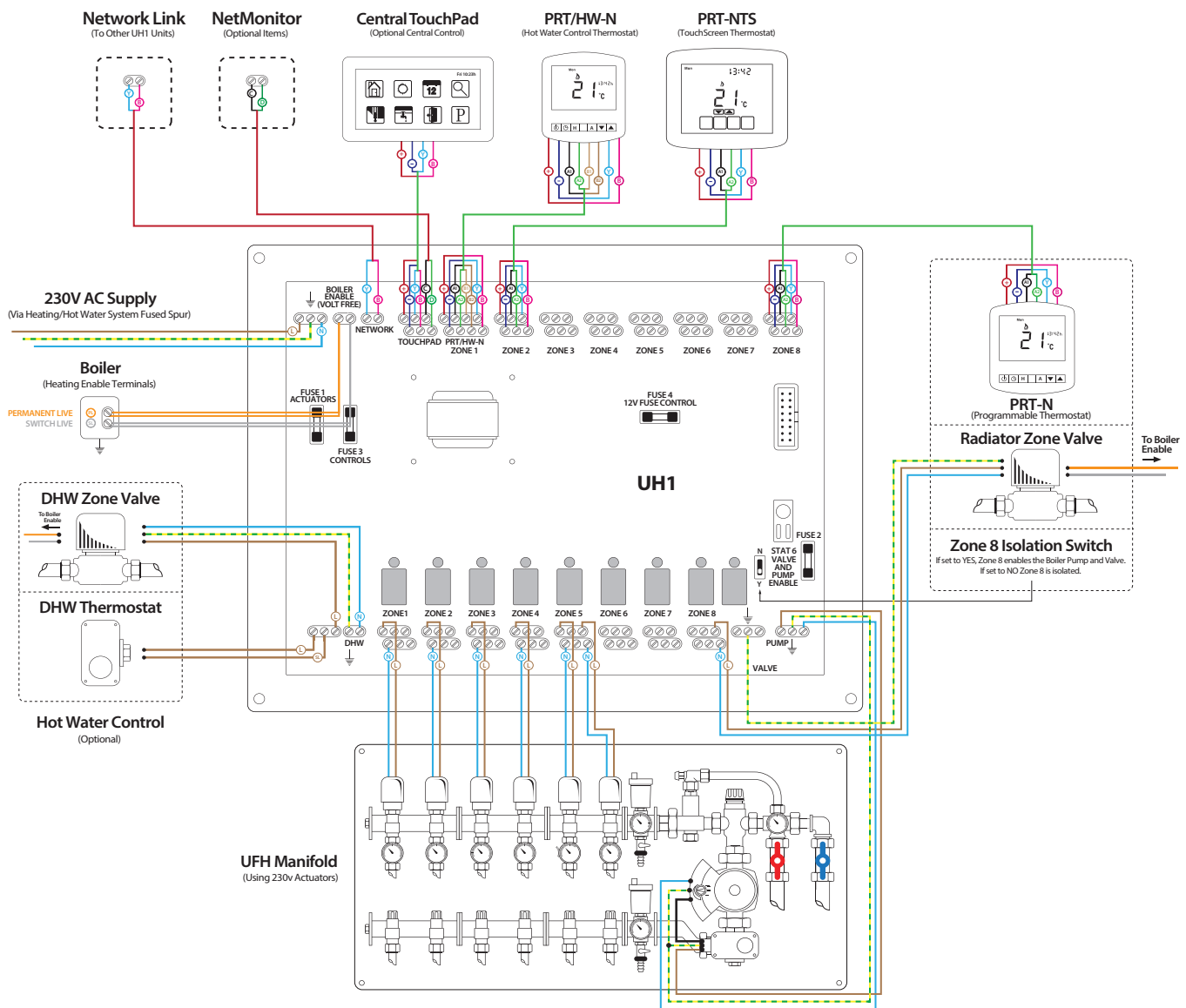
Central Control
Control up to 32 rooms from our TouchPad and benefit from total control of your heating system at your fingertip.

Simple Connectivity
The UH1 allows the connection of up to eight 12v Network Thermostats. On demand from any zone, a 230v output is provided to switch the relevant zone actuator, underfloor heating pump and valve. A volt free connection is supplied for the boiler, making it compatible with almost all types of boilers.

Radiator Zone Control
A simple slide switch makes zone 8 suitable for controlling a radiator zone. When used for controlling radiators, zone 8 does not enable the underfloor heating pump or valve.

Smartphone Control
Add the NetMonitor or NetMonitor + to your system and take control of your multi-zone system from your smartphone.

neoX (Range Extender)
The neoX has been designed to extend the range of your Neo system, ensuring the network can reach every part of your home.



Standard Products



8 Zone Wiring Centre
Part Ref: Heatmiser UH1



Slimline Thermostat
Part Ref: Heatmiser PRT-N



TouchScreen Thermostat
Part Ref: Heatmiser PRT-NTS



neo Mains Voltage Network System

Network control of your mains wired heating system from your Smartphone and Tablet

Our Mains Wired Neo Network is perfect for new build and retrofit markets. Don't worry about installing CAT5 cabling or WiFi Network coverage around the home, our Neo Network System offers a simple to install system that is expandable.

Headline Information

Connections for

8 x Zone outputs
(suitable for 230v actuators)
230v Output for UHF Pump and Valve control
Volt free Boiler Enable

Component Dimensions

UH3 Wiring Centre
290x200x70mm (L,H,D)

Providing

Wiring centre, controlling up to 8 zones
8 Neo Mains Network Thermostats

Product List

8 Zone wiring centre
Part ref: Heatmiser UH3
(See page 35)
7 x neoStat in Heating mode
1 x neoStat in Timer mode
(See page 20-21)
NeoHub

Key Features



Neo Network

The Neo Network System is designed to provide reliable communication of the thermostat data whilst at the same time providing an extended communication range. Each neoStat thermostat acts as a repeater on the network, helping to eliminate range issues which are common on standard RF systems.



Easy Upgrade

Customers with existing 230v thermostats can upgrade to the Neo Network System and take control of their system from anywhere. The neoHub gateway connects the neoStats to the internet for access via a Smartphone or Tablet both in the home and remotely from anywhere in the world.



Simple Connectivity

The UH3 allows the connection of up to eight 230v thermostats. On demand from any zone, a 230v output is provided to switch the relevant zone actuator, underfloor heating pump and valve. A volt free connection is supplied for the boiler, making it compatible with almost all types of boilers.



Radiator Zone Control

A simple slide switch makes zone eight suitable for controlling a radiator zone. When used for controlling radiators, zone 8 does not enable the underfloor heating pump, valve and boiler.



Neon Indication

A window is provided on the UH3 allowing you to see the power, zone, boiler and valve status without the need to remove the cover.



NeoStat Thermostat Flexibility

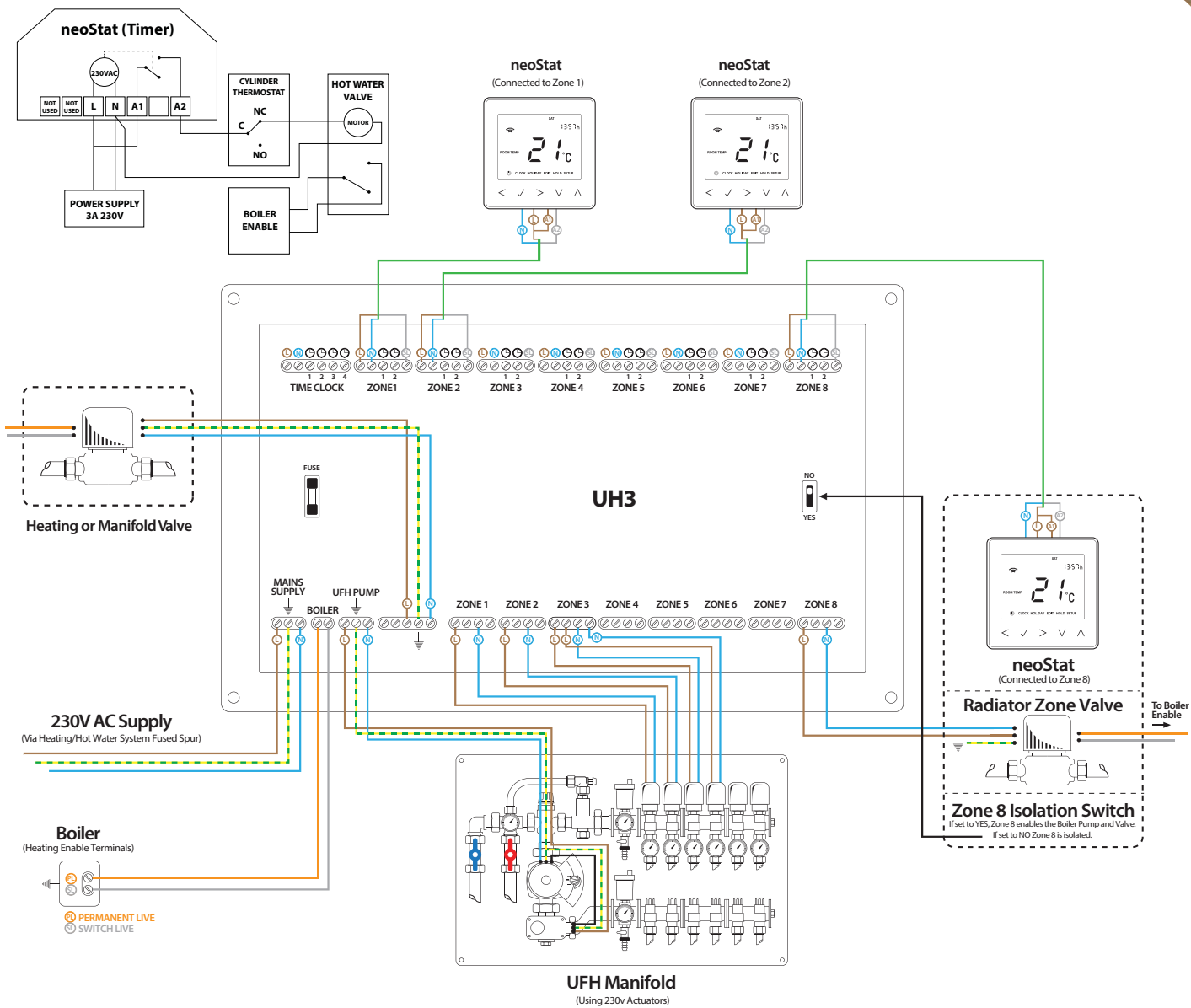
The neoStat can be set to operate in heating or timer mode, allowing the installer to select on installation if the thermostat will be used to control a heating zone or a timed appliance, such as the hot water or perhaps a towel rail.



230v Models

Are designed to work with our UH3 wiring centre and dial thermostat with set back function, providing simple but effective control.





Standard Products



8 Zone Wiring Centre
Part Ref: Heatmiser UH3



neoStat (Heat Mode)
Part Ref: neoStat



neoStat (Timer Mode)
Part Ref: neoStat



neoHub
Part Ref: neoHub



Central Control

Designed to give Central Control within your home

Designed to work with our 12v Network Thermostats, the Heatmiser Touchpad provides central control of your home heating system.

Headline Information

Central Control

Part Ref: Heatmiser TouchPad

Up to 32 rooms can be controlled from the full colour TFT Display meaning that walking around each room to turn up or down the heating is a thing of the past.

The TouchPad is also fully compatible with the Heatmiser NetMonitor system, our remote access system.

Display

TouchScreen 4.3" TFT Colour LCD

Number Of Zones

32 (Max)

Titles

Give each room a title

Passcode Protect

When enabled, the user must enter a passcode in order to access the system.

Key Features



Home and Away

This feature gives you a simple way of turning off your heating system whilst you are away. On your return, pressing the Home button will re-enable the system. Ideal when you have a holiday home and are not sure when you will return.



Profiles

Gives the ability to store a set of comfort levels for a group of rooms. This setting can be applied as and when required, for example at the start of a new shift.



History

The TouchPad will store hours of temperature history.



Hot Water Boost

Use the hot water boost to quickly override the hot water settings.



Holiday

Use the holiday feature to put the heating into frost mode whilst you are away. At the end of the holiday, each room will revert back to the programmed time, ensuring your home is warm on your return.



Copy Facility

Save time - copy comfort levels between rooms.



USB Export

The temperature log can be exported via the USB connection.



Quick View

See at a glance the current thermostat status throughout your building.



Temperature Hold

Use this function to hold a desired temperature for a fixed period, ideal for unexpected activities. Apply to a single or multiple rooms.



Auto GMT Correction

Automatically adjusts the clocks in all of the thermostats at the start of summer and winter time.



Key Lock

Lock each thermostat to prevent misuse.



Auto Time Sync

Synchronises all of the thermostat clocks on the network.



Intuitive User Interface



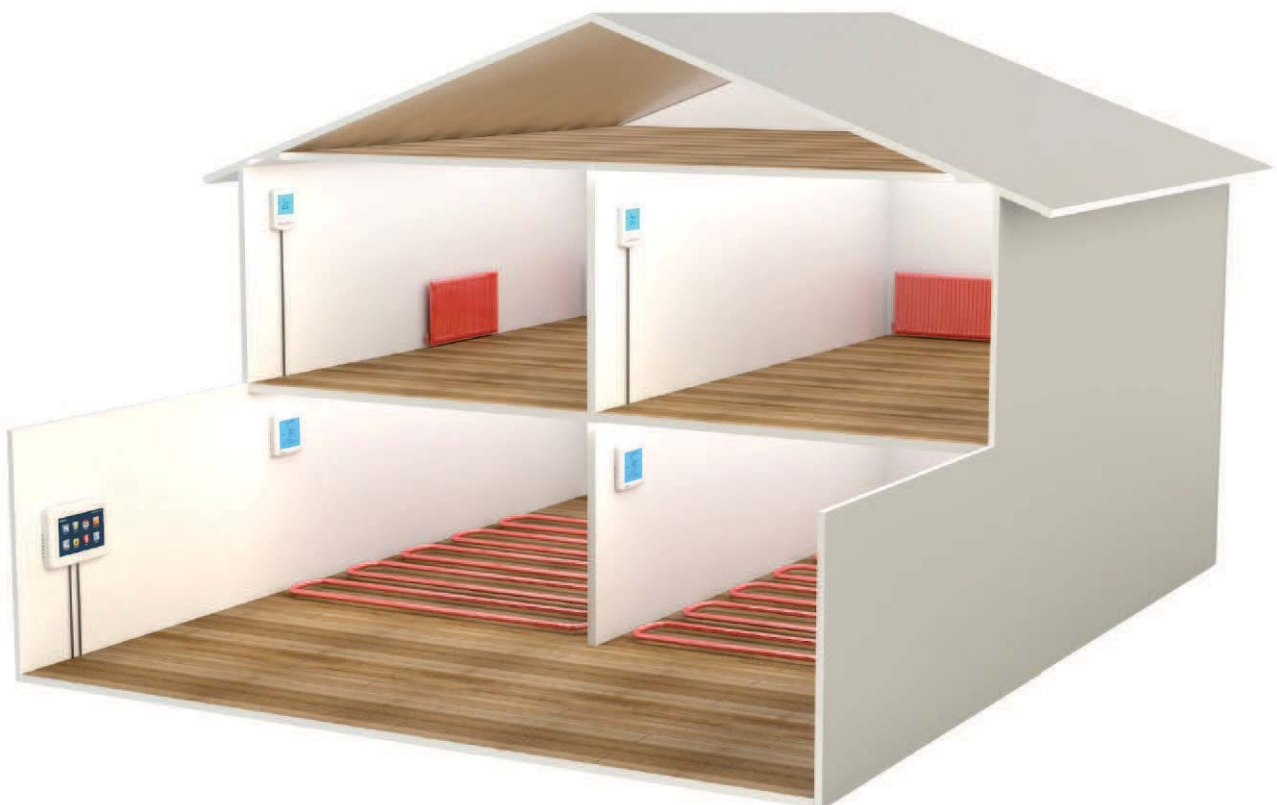
Central Control



Temperature Hold



Home & Away





Internet Control

Designed to give control from any web browser and SMS

The Heatmiser NetMonitor is a self contained unit allowing you to control your heating over the internet from any web browser. Simply plug the NetMonitor in to your router and take complete control.

Headline Information

NetMonitor

Part Ref: Heatmiser NetMonitor

The Heatmiser NetMonitor allows you to take control of your home heating system over the internet from any web browser - no additional software is required on your PC*.

NetMonitor +

Part Ref: Heatmiser NetMonitor +

The NetMonitor + allows you to control your heating system via SMS.

Functions include:

- Home / Away (Places your system into set back mode)
- Set a temperature in individual rooms or to all rooms
- Turn the Hot water on or off
- Request the actual and set temperature status from any room
- Receive Alarm Notifications
- Enable or Disable any of the six outputs

Key Features

Group Feature

The NetMonitor is all about saving you time and the Group feature plays a large part in achieving this goal. One example of this could be a Group consisting of all the bedrooms within your home.

Adding all of the bedrooms to this group allows you to quickly and easily set the bedroom comfort levels, enable a temperature hold, place all of the rooms into set back mode and much more.

Alarm Facility

Receive an email or SMS** when any of the Six alarms are triggered. In addition, you can setup how each alarm is handled, for example when an alarm is triggered a relay output could be enabled.

* For remote internet access, you will need a fixed IP address or a router with Dynamic DNS facility.
 ** SMS functions are only available on the NetMonitor + (SIM Card not included).

Smartphone Interface

The NetMonitor & NetMonitor + (version 3.5 onwards) includes an interface to your smartphone enabling you to take control of your multi-zone system from your Smartphone.

Temperature Sensors

Six temperature sensors can be connected to the NetMonitor. The NetMonitor can be programmed to notify you by email or SMS** should any sensor drop or rise above the programmable temperature limit.

Live View

The NetMonitor has an innovative Live View display, giving you an instant overview of the room selected.



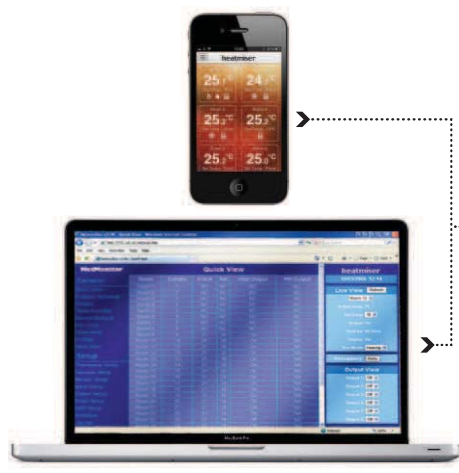


FEATURES

- Max Number of Zones
- Titles
- Home / Away Function
- Program Each Thermostat
- Temperature Hold
- Key Lock
- Alarm Facility
- Sensor Facility with High / Low Limits
- Outputs

INTERNET CONTROL

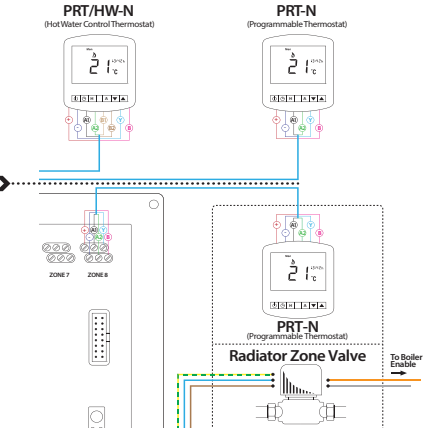
- 32
- Give each room a title or name.
- A simple way to turn your heating system off whilst you are away. On your return, pressing Home will re-enable the system.
- Ideal when you have a holiday home and are not sure when you will return.
- Program the comfort levels for each thermostat.
- This function allows you to hold a desired temperature for a certain period, ideal for unexpected activities. Apply to a single or multiple rooms.
- Lock each thermostat to prevent misuse.
- Six alarm inputs are provided and can be used to trigger an email, SMS* and relay output.
- Six remote sensors can be connected and can be setup to trigger an email/SMS* and relay output if the temperature limit is reached.
- Six 12v outputs are provided and can be used to enable auxiliary devices.



Smartphone & Web Browser



Heatmiser NetMonitor
Part Ref: Heatmiser NetMonitor



Heatmiser UH1
Part Ref: Heatmiser UH1
See page 32



Central Wiring Switch Boxes

Multi-zone wiring centres - Designed to make installation simple

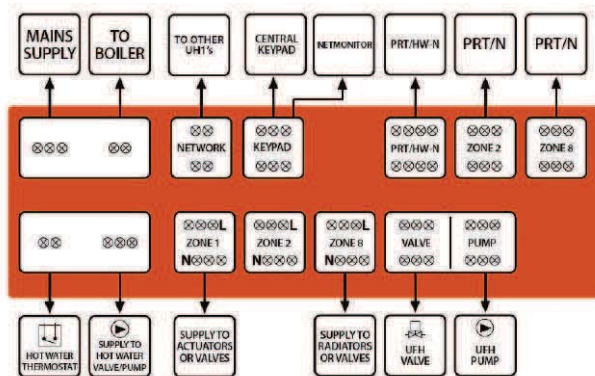
Our central wiring switch boxes have been designed to simplify the wiring process. Using our wiring centres in your application means that the actuator, boiler and pump connections are wired from a single point.



12v

12v Network Thermostat Wiring Centre
Part Ref: Heatmiser UH1

The UH1 is designed to be used in conjunction with our 12v network thermostats. The UH1 provides central switching and is therefore ideally situated next to the underfloor heating manifold. Eight zones can be controlled as well as providing an output for a hot water cylinder. On demand from any zone, a 230v output is provided to switch the relevant zone actuators, underfloor heating pump and valve. A volt free connection is supplied for the boiler, making it compatible with almost all types of boilers. Up to six actuators can be connected to each zone. An option is provided to turn zone 8 into a radiator zone. In this mode the underfloor heating pump, valve and boiler are not enabled when there is a call for heat from zone 8. The UH1 provides a network port allowing connection to our network products, including the central TouchPad and NetMonitor.

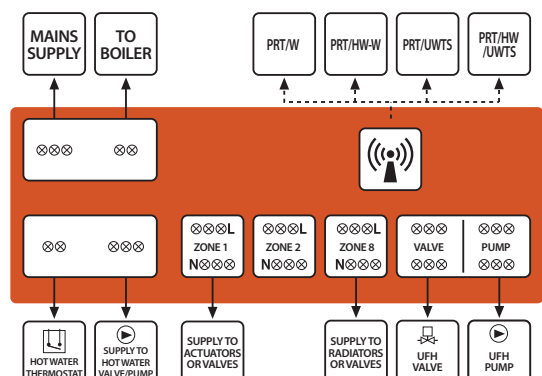


Heatmiser UH1

230v

Wireless 230v 8 Zone Wiring Centre
Part Ref: Heatmiser UH1-W

The UH1-W is designed to be used in conjunction with our compatible wireless thermostats. The UH1-W provides central switching and is therefore ideally situated next to the underfloor heating manifold. Eight zones can be controlled as well as providing an output for a hot water cylinder. On demand from any zone, a 230v output is provided to switch the relevant zone actuators, underfloor heating pump and valve. A volt free connection is supplied for the boiler, making it compatible with almost all types of boilers. Up to six actuators can be connected to each zone. An external aerial is available for use when the UH1-W is being mounted in a metal cupboard or when the wireless signal is restricted. A software option in the thermostat allows you to configure which zones are underfloor heating and which zones are radiators.



Heatmiser UH1-W

UH1-W is not suitable for use in Australia.



Mains Thermostats Compatible Wiring Centres

Our UH2 and UH3 wiring centres are designed to work with our 230v thermostats. The new UH2 is ideal for smaller systems, up to four zones and the UH3 for eight zones.



230v

230v 4 Zone Wiring Centre

Part Ref: Heatmiser UH2

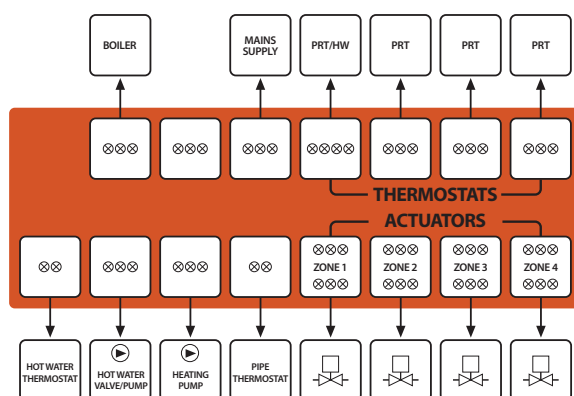
230v

230v 8 Zone Wiring Centre

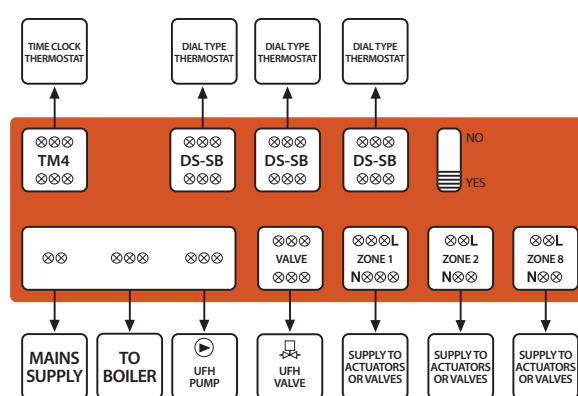
Part Ref: Heatmiser UH3

The UH2 can be used in conjunction with our mains thermostats. The UH2 provides central switching of up to four zone actuators as well as providing an output for a hot water cylinder and the heating system boiler and pump. When used for underfloor heating, an option is available to use zone 4 for conventional radiator control. Up to six actuators can be connected to each zone.

The UH3 is designed to work with our four channel 230v time clock (TM4) and 230v Set back thermostat (DS-SB) but equally could be used with any 230v room thermostat. Up to eight zones can be controlled from the UH3. On board the UH3 are two heating time channels, each zone allows you to specify which time channel it should follow. Two additional time channel connections are provided for hot water control or other auxiliary devices. On demand from any zone, a 230v output is provided to switch the relevant zone actuator, underfloor heating pump and valve. A volt free connection is supplied for the boiler, making it compatible with almost all types of boilers. A simple slide switch makes zone 8 suitable for controlling a radiator zone. When used for controlling radiators, zone 8 does not enable the underfloor heating pump, valve and boiler. Up to four actuators can be connected to each zone.



Heatmiser UH2



Heatmiser UH3



Stylish Thermostats For Modern Living



Heatmiser UK Ltd
8 & 9 Hurstwood Court, Mercer Way
Shadsworth Business Park, Blackburn
Lancashire. BB1 2QU, England
Tel: +44 (0)1254 669090
Fax: +44 (0)1254 669091
Email: sales@heatmiser.com

Registered in England: 3747773
WEEE Registration Number: WEE/GF0052TQ



Twitter: [heatmiseruk](https://twitter.com/heatmiseruk)



Facebook: facebook.com/thermostats